



ALUMINUM SLIDING DOORS

SZAFIR | LAZURYT | AGAT | ONYX

Partitions
&
Closets



KOMANDOR

SZAFIR

system



Szafir - a narrow, geometrically stylized and modern profile. The use of aluminum and the selection of inspiring colors emphasize its original shape and character. Szafir perfectly combines the functionality of the frame serving as a handle, with its delicate appearance. Wardrobes finished with this system are modern, soaring and extremely designer. They look attractive in minimalist, eclectic, or Scandinavian interiors as well as classic or loft interiors.

The Szafir system enables the production of sliding, pivoting and slant doors and the combination of various insert materials within one door. It is also possible to use decorative strips in the color of the system. Thanks to the hidden bottom rollers, the system can be used as a partition door between rooms.

PARAMETERS

- max door height: 2,75 m
- max door width: 1,50 m

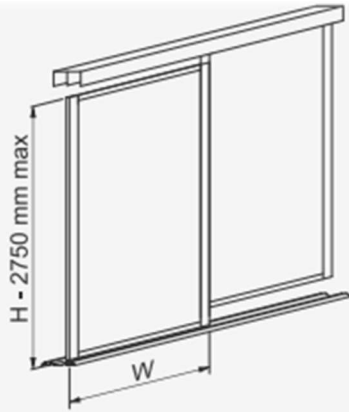
PROPERTIES

- anti-jumping function protects the door against falling out of the bottom track
- hidden running system and the invisible bottom track fixing allow the use of transparent insert material in the door
- rollers equipped with bearings ensure light door sliding with ease
- buffer strips with short and long hair reduce vibrations when closing the door and protect the interior against dust
- possibility of using the door closers ensuring soft closing of the door

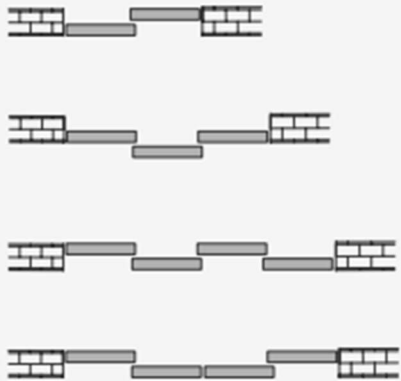


PROFILE COLORS





W = 400+1500 mm - panel 8/10 mm
 W = 400+1500 mm - glass 4/4,6/6 mm





LAZURYT

system



LAZURYT - interesting, harmonious shape that's structure is architecturally pleasing. The slim line, delicate roundness at the edge of the frame and its perfect composition makes Lazuryt an aristocrat among profiles of a similar character. It is a profile that stands out against the background of the door insert material, forming its visible frame. Lazuryt makes the wardrobe look elegant and classy, and at the same time modern and fresh. It goes perfectly with the classic, retro, vintage, industrial, scandinavian, eclectic, and contemporary styles.

The Lazuryt system enables the production of sliding, pivoting and slant doors and the combination of various insert materials within one door. It is also possible to use decorative strips in the colour of the system. Thanks to the hidden bottom rollers, the system can be used as a partition door between rooms.

PARAMETERS

- max door height: 2,75 m
- max door width: 1,50 m

PROPERTIES

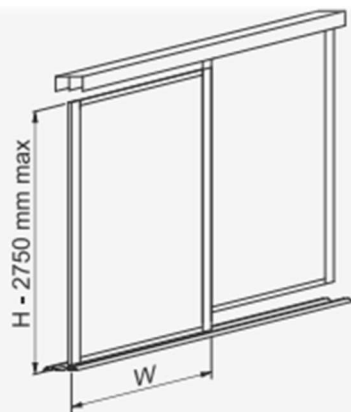
- anti-jumping function protects the door against falling out of the bottom track
- hidden running system and the invisible bottom track fixing allow the use of transparent insert material in the door
- buffer strips with short and long hair reduce vibrations when closing the door and protect the interior against dust
- rollers equipped with bearings ensure light door sliding with ease
- quiet work of the running gear
- possibility of using the door closers ensuring soft closing of the door

10

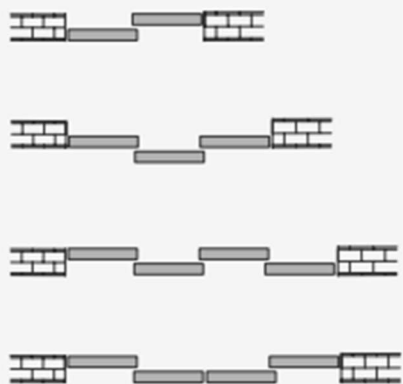


PROFILE COLORS





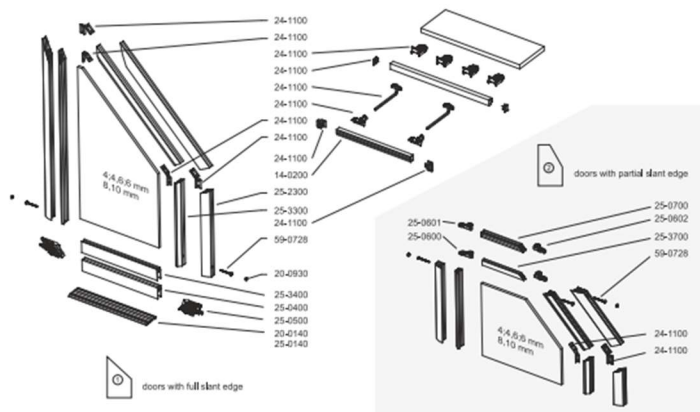
W = 400+1500 mm - panel 8/10 mm
W = 400+1500 mm - glass 4/4,6/6 mm



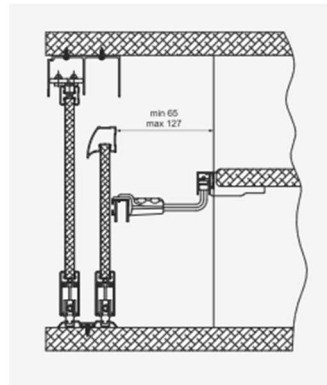
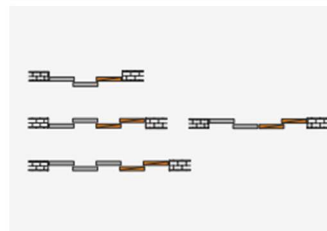
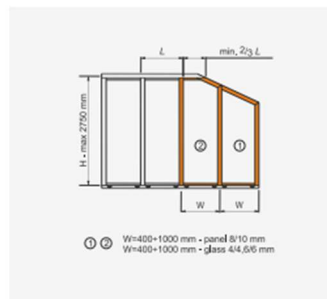
DRZWI ZE SKOSEM SERIA 25
SLANTED DOORS THE 25 SERIES



SLANTED DOOR SYSTEM
THE 25 SERIES



LAZURYTY II, SZAFIR



24-1100

Elementy do drzwi ze skosem AL25 SZAFIR / LAZURYTY II
AL25 SZAFIR / LAZURYTY II slant door system elements
Éléments pour les portes en pan coupé AL25 SZAFIR / LAZURYTY II



16 pcs./pack

14-0200

Prowadnica 2750 mm
Guide bar 2750 mm
Glisnière 2750 mm



12 pcs./pack

AGAT system



Agat - is a reference to the ancient culture, which has defined the European canons of beauty for a long time. The profile regards to simplicity and harmony, combining a strict geometric shape - classic and regular - with a modern, expressive form. It gives the wardrobe light and soft character, without depriving them of harmony and perfect proportions. It is an excellent proposition for interiors in classic, retro or boho style, and with appropriate styling - a romantic or French style.

The Agat system enables the production of sliding, pivoting and slant doors and the combination of various insert materials within one door. It is also possible to use decorative strips in the colour of the system. Thanks to its symmetry and hidden bottom rollers, the system can be used as a partition door between rooms.

PARAMETERS

- max door height: 2,75 m
- max door width: 1,50 m

PROPERTIES

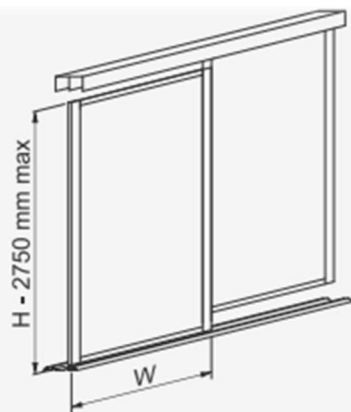
- symmetry - the same appearance on both sides
- rollers equipped with bearings ensure light door sliding with ease
- anti-jumping function protects the door against falling out of the bottom track
- hidden running system and the invisible bottom track fixing allow the use of transparent insert material in the door
- buffer strips with short and long hair reduce vibrations when closing the door and protect the interior against dust
- possibility of using the door closers ensuring soft closing of the door

12

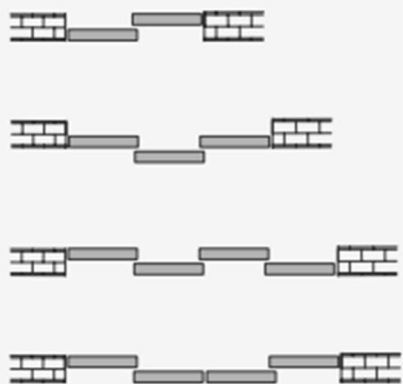


PROFILE COLORS





W = 400+1500 mm - panel 8/10 mm
W = 400+1500 mm - glass 4/4,6/6 mm



ONYX system



Onyx – referring to the profile of the Agat line, the Onyx profile leans even more toward a pleasing geometric simplicity creating a clean and uncluttered look. Onyx combines the functionality of the frame serving as a handle, with its classic shape. It is a solid choice for eclectic, boho, and classic interiors, lending itself also to romantic styling.

The Onyx system allows for the production of sliding doors and the combination of various insert materials within one door. It is also possible to use decorative strips in the colour of the system. Thanks to its symmetry and hidden bottom rollers, the system can be used as a partition door between rooms.

PARAMETERS

- max door height: 2,75 m
- max door width: 1,50 m

PROPERTIES

- symmetry - the same appearance on both sides
- rollers equipped with bearings ensure light door sliding with ease
- anti-jumping function protects the door against falling out of the bottom track
- hidden running system and the invisible bottom track fixing allow the use of transparent insert material in the door
- buffer strips with short and long hair reduce vibrations when closing the door and protect the interior against dust
- possibility of using the door closers ensuring soft closing of the door

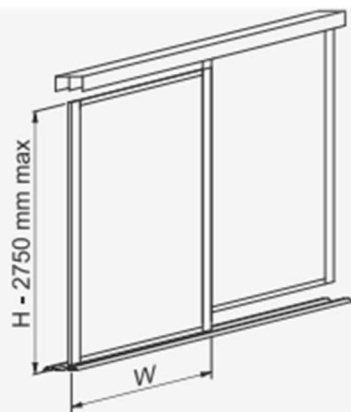
12



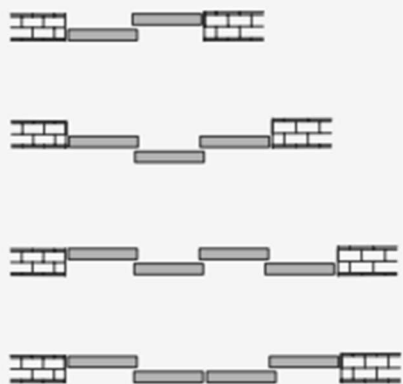
PROFILE COLORS

anode natural





W = 400+1500 mm - panel 8/10 mm
W = 400+1500 mm - glass 4/4,6/6 mm



Insert materials - Glazing

Float Glass



Clear & Coloured Mirrors



Acid Etched Glass



UG 300/600B-T
3mm, 6mm

UG 600GRY-T
6mm

Back Painted Glass



UG BP004BLK-T
4mm

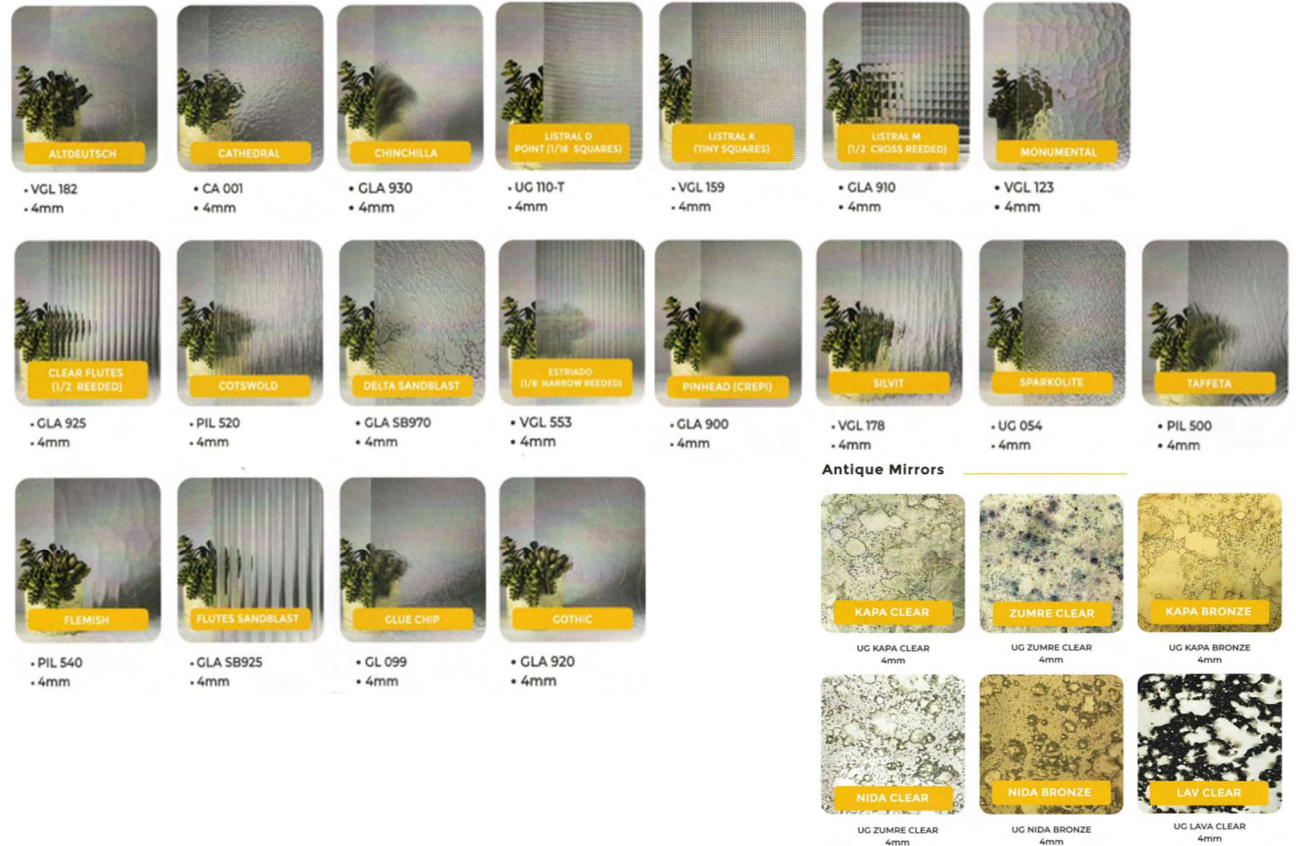


UG BP004EXW
4mm

Over 20 styles

- regular or matte finish
- various colours
- ultra-clear and metallic

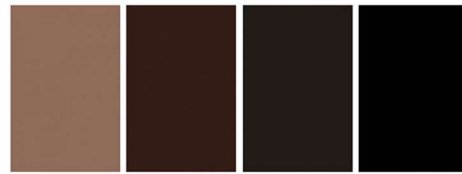
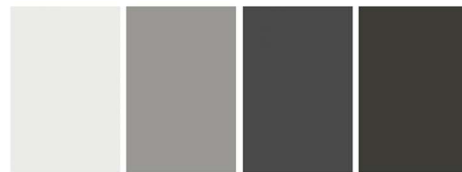
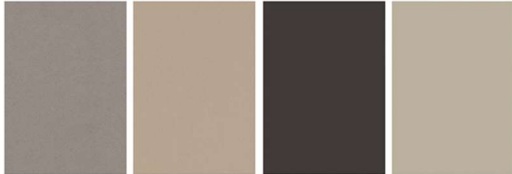
Pattern Glass



Antique Mirrors

Insert materials - Panel

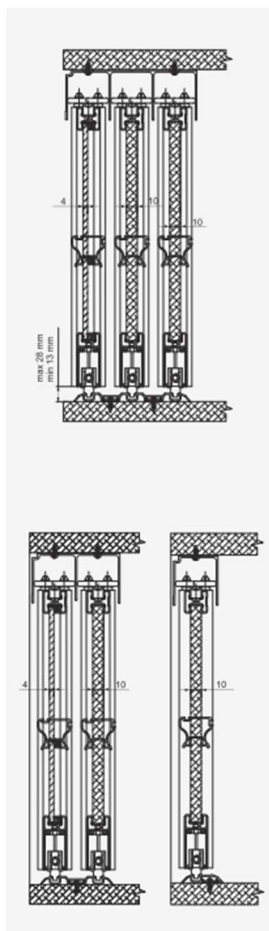
European low VOC imports – below is a small sampling of finishes offered



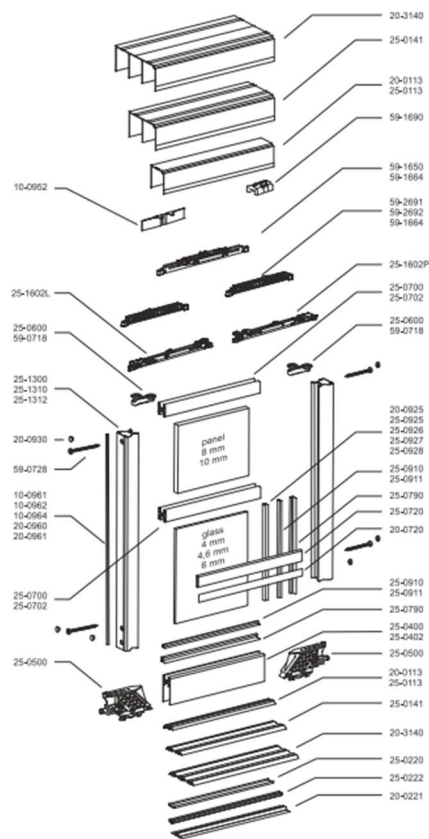
Textured
High Gloss
SuperMatt
Specialty
Soft Touch



DRZWI PRZESUWNE SERIA 25
SLIDING DOORS THE 25 SERIES

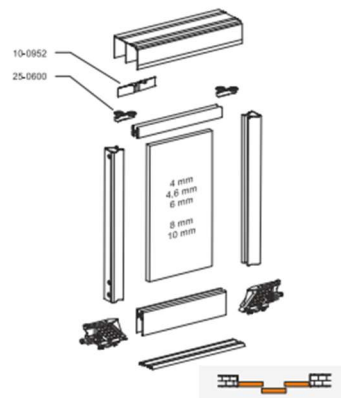


AGAT II SYSTEM

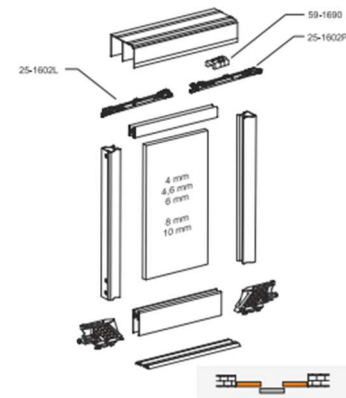


AGAT II

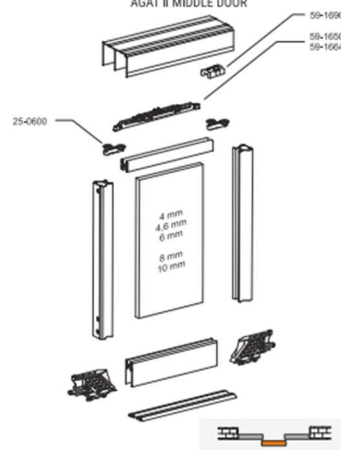
AGAT II



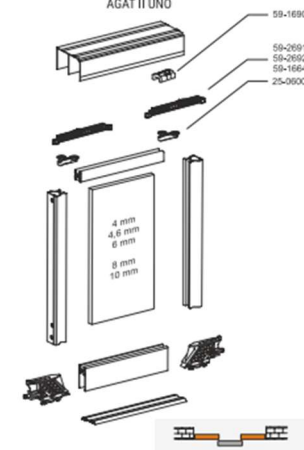
AGAT II COMFORT TOUCH



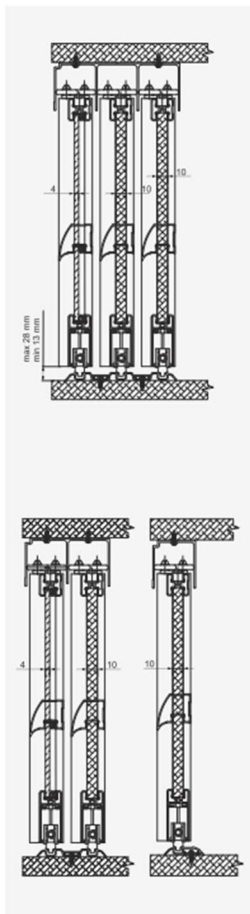
AGAT II MIDDLE DOOR



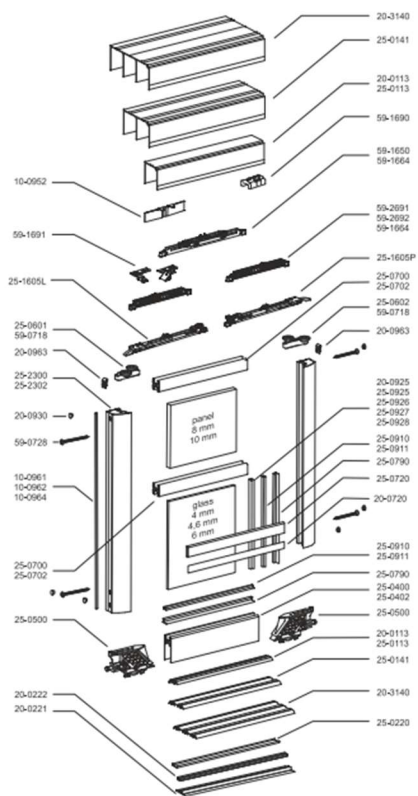
AGAT II UNO



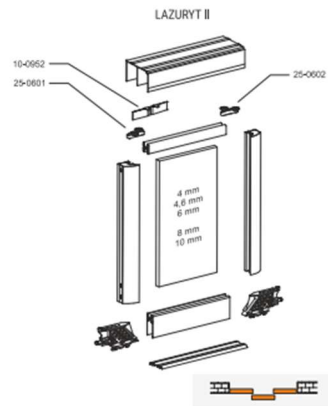
DRZWI PRZESUWNE SERIA 25
SLIDING DOORS THE 25 SERIES



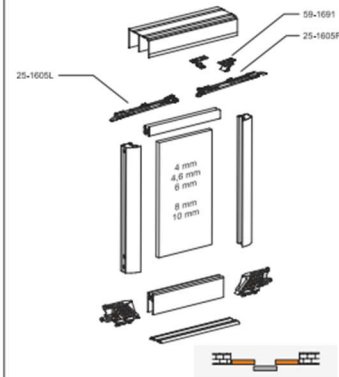
LAZURY II SYSTEM



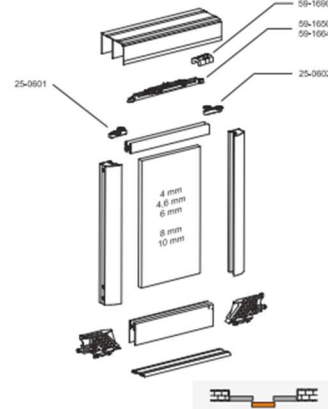
LAZURY II



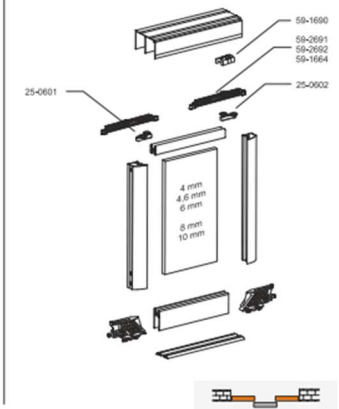
LAZURY II COMFORT TOUCH



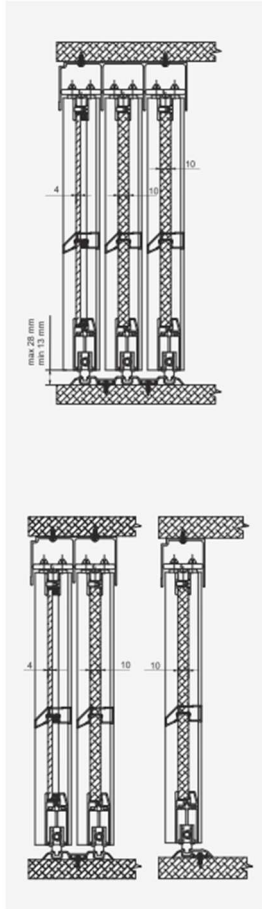
LAZURY II MIDDLE DOOR



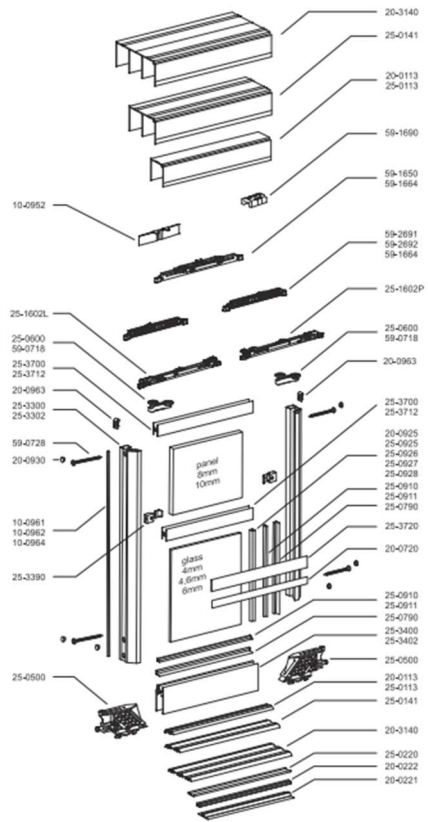
LAZURY II UNO



DRZWI PRZESUWNE SERIA 25
SLIDING DOORS THE 25 SERIES

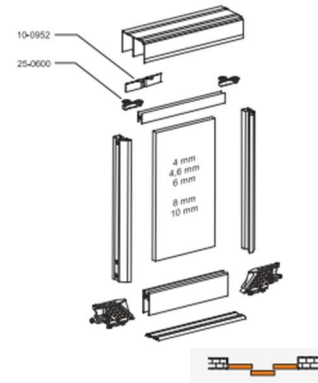


SZAFIR SYSTEM

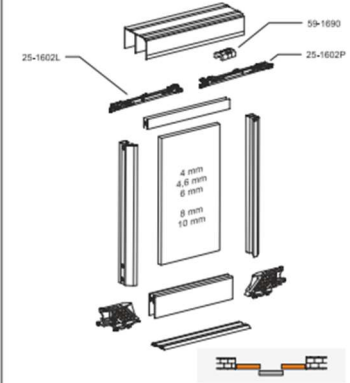


SZAFIR

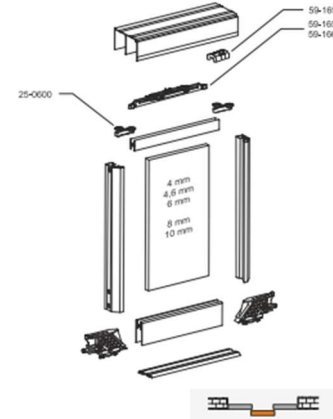
SZAFIR



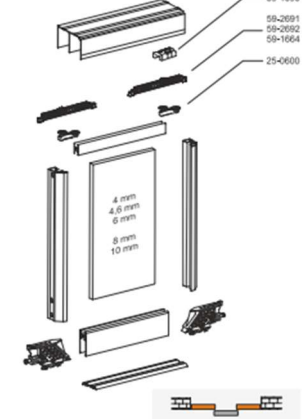
SZAFIR COMFORT TOUCH



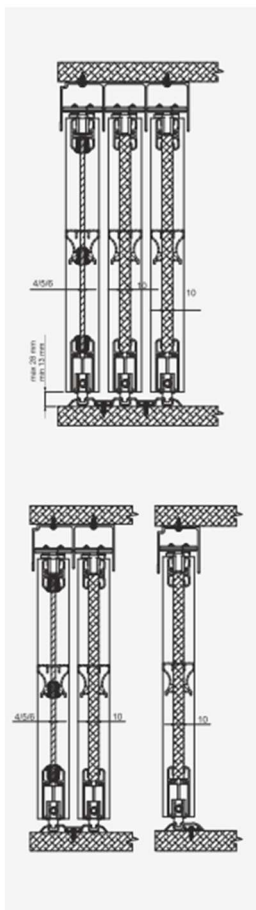
SZAFIR MIDDLE DOOR



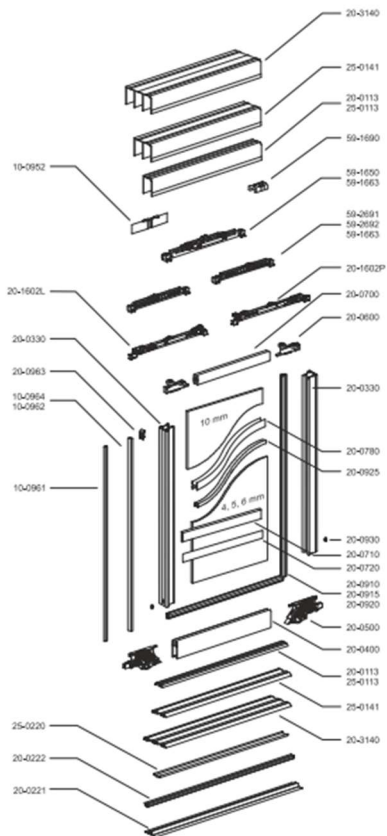
SZAFIR UNO



DRZWI PRZESUWNE SERIA 20
SLIDING DOORS THE 20 SERIES

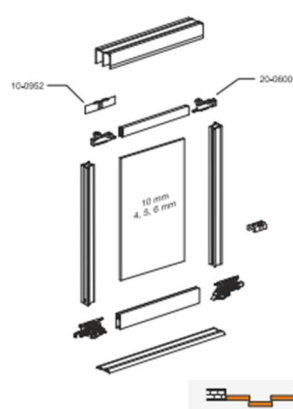


ONYX SYSTEM

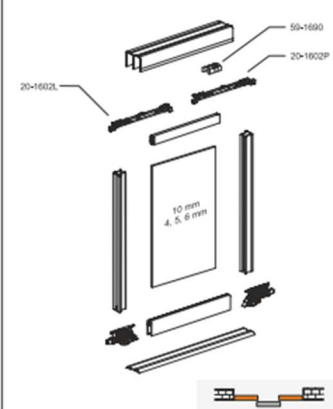


ONYX

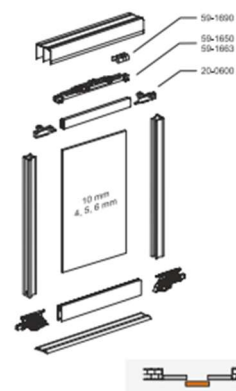
ONYX



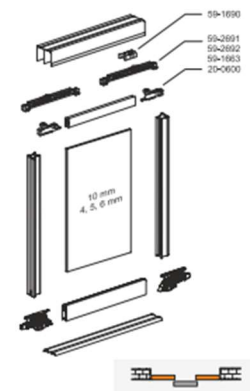
ONYX COMFORT TOUCH



ONYX MIDDLE DOOR



ONYX UNO



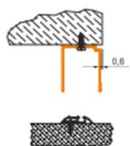
DRZWI PRZESUWNE SERIA 25
SLIDING DOORS THE 25 SERIES



20-0113-AA

25-0113-#
Tor górny i dolny pojedynczy 5000 mm
Top and bottom single track 5000 mm
Rail haut et bas 5000 mm

- AN, AG, AS, BI, CZ, WE, ZB

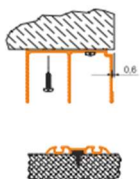
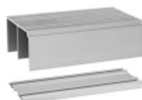
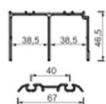


1 pc./pack

25-0141-#

- AA, AG, AN, AS, BA, BI, BP, CZ, OT, SJ, WE, ZB
Tor górny i dolny AL 25, 5500 mm
AL 25 top and bottom track, 5500 mm
Rail haut et bas AL 25, 5500 mm

- AA, AG, AN, AS, BA, BI, BP, CZ, OT, SJ, WE, ZB

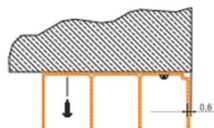
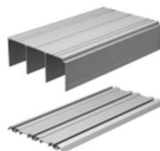
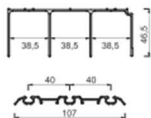


1 pc./pack

20-3140-#

Tor górny i dolny potrójny, 5000 mm
Top and bottom triple track, 5000 mm
Rail triple haut et bas, 5000 mm

- AG, AN, AS, BI



1 pc./pack

25-0220

Listwa do mocowania torów 2750 mm
Bottom tracks mounting strip 2750 mm
Baguette cache-vis 2750 mm



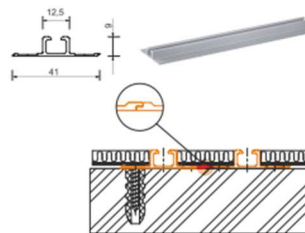
30 pcs./pack



AGAT II, LAZURYT II, SZAFIR

20-0221-AN

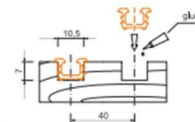
Tor dolny wpuszczany z podstawą 2750 mm, anoda naturalna
Bottom concealed track with base 2750 mm, anode natural
Rail bas encastré avec socle 2750 mm, anodé naturel



6 pcs./pack

20-0222-AN

Tor dolny wciśniony 2750 mm, anoda naturalna
Bottom push-in track 2750 mm, anode natural
Rail bas encastré 2750 mm, anodé naturel



25 pcs./pack

25-1300-#

Ramiak pionowy AGAT II, 2750 mm
AGAT II stile 2750 mm
Traverse haut AGAT II, 2750 mm

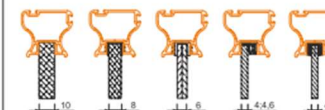
- AN, WE, ZB

- AN, AS

25-1312-#

Ramiak pionowy AGAT II, 5800 mm
AGAT II stile 5800 mm
Traverse haut AGAT II, 5800 mm

- AN, AS



66-0250

12 pcs./pack

25-2300-#

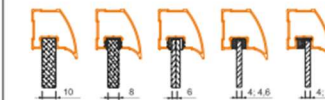
Ramiak pionowy LAZURYT II, 2750 mm
LAZURYT II stile 2750 mm
Traverse haut LAZURYT II, 2750 mm

- AN, AG, AS, BA, WE, ZB

25-2302-#

Ramiak pionowy LAZURYT II, 5800 mm
LAZURYT II stile 5800 mm
Traverse haut LAZURYT II, 5800 mm

- AG, AN, AS



66-0250

12 pcs./pack

DRZWI PRZESUWNE SERIA 25 SLIDING DOORS THE 25 SERIES



25-0400-#

Ramiek poziomy dolny II 1800 mm
Ra II 1800 mm
Traverse du bas II 1800 mm

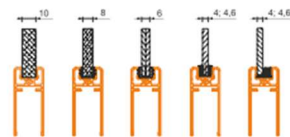
- AG, AN, AS, EI, WE, ZB



25-0402-#

Ramiek poziomy dolny II 5800 mm
Ra II 5800 mm
Traverse du bas II 5800 mm

- AG, AN, AS

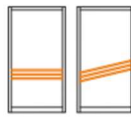


12 pcs./pack

25-0720-#

Listwa ozdobna II 1800 mm
Decorative batten II 1800 mm
Baguette décorative II 1800 mm

- AN, AS, EI, WE, ZB



24 pcs./pack

25-0700-#

Ramiek poziomy górny II 1800 mm
Top joiner rail II 1800 mm
Traverse du haut I 1800 mm

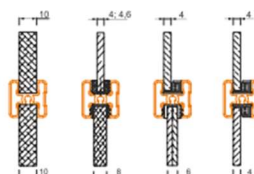
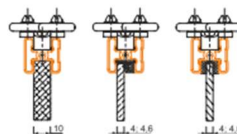
- AG, AN, AS, EI, WE, ZB



25-0702-#

Ramiek poziomy górny II 5800 mm
Top joiner rail II 5800 mm
Traverse du haut I 5800 mm

- AG, AN, AS



18 pcs./pack



AGAT II, LAZURYT II, SZAFIR

25-3300-#

Ramiek poziomy SZAFIR 2750 mm
SZAFIR ciak 2750 mm
Traverse haut SZAFIR 2750 mm

- AG, AN, AS, EI, ZB



25-3302-#

Ramiek poziomy SZAFIR 5800 mm
SZAFIR ciak 5800 mm
Traverse haut SZAFIR 5800 mm

- AG, AN, AS



60-0253

12 pcs./pack

25-3400-#

Ramiek poziomy dolny SZAFIR 1800 mm
SZAFIR rail 1800 mm
Traverse du bas SZAFIR 1800 mm

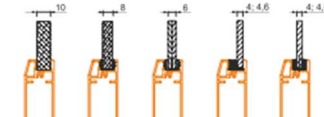
- AG, AN, AS, EI, ZB



25-3402-#

Ramiek poziomy dolny SZAFIR 5800 mm
SZAFIR rail 5800 mm
Traverse du bas SZAFIR 5800 mm

- AG, AN, AS, EI, ZB



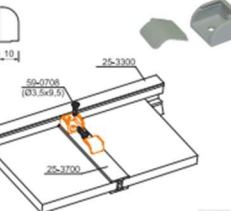
60-0255

12 pcs./pack

25-3390-#

Łącznik profil SZAFIR (50 szt.)
SZAFIR stiles joining bracket (50 pcs.)
Pièce de jonction traverse/montant SZAFIR (50 pcs.)

- AG, AN, AS, EI



50 pcs./pack

25-3700-#

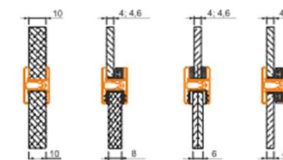
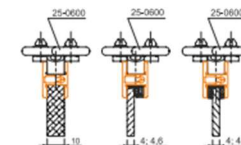
Ramiek poziomy górny SZAFIR 1800 mm
SZAFIR joiner rail 1800 mm
Traverse du haut SZAFIR 1800 mm

- AG, AN, AS, EI, ZB

25-3712-#

Ramiek poziomy górny SZAFIR 5800 mm
SZAFIR joiner rail 5800 mm
Traverse du haut SZAFIR 5800 mm

- AG, AN, AS



12 pcs./pack

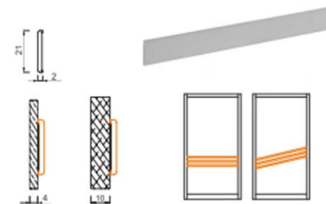
DRZWI PRZESUWNE SERIA 25 SLIDING DOORS THE 25 SERIES



25-3720-#

Listwa ozdobna SZAFIR 1800 mm
SZAFIR decorative batten 1800 mm
Baguette décorative SZAFIR 1800 mm

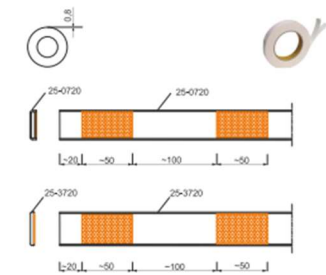
- AG, AN, AS, ZB



24 pcs./pack

20-0720

Taśma dwustronna piankowa 0,019x10 m
Double-sided foam tape 0,019x10 m
Bande en mousse adhésive double face 0,019x10 m

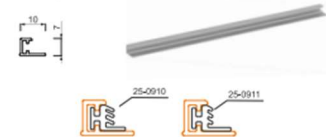


1 rol/10 m 1 pt./pack

25-0790-#

Listwa dystansowa 7,2x10,8x2750 mm
Filler strip 7,2x10,8x2750 mm
Bandeau de joint 7,2x10,8x2750 mm

- AG, AN, AS, CM, ZB



50 pcs./pack

25-0910

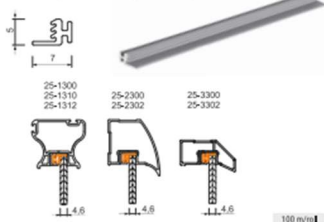
Wkładka dystansowa 4 mm (100 m/rolka)
Gazing strip 4 mm glass (100 m/roll)
Joint de compensation 4 mm (100 m/rouleau)



100 m/roll

25-0911

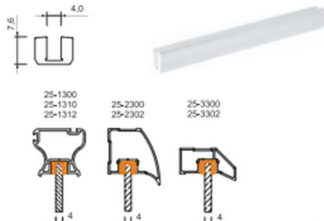
Wkładka dystansowa 4,6 mm (100 m/rolka)
Gazing strip 4,6 mm glass (100 m/roll)
Joint de compensation 4,6 mm (100 m/rouleau)



100 m/roll

25-0925-#

Uszczelka AL25 4 mm (200 m/rolka)
AL25 series 4 mm gasket (200 m/roll)
Joint AL25 4 mm (200 m/rouleau)



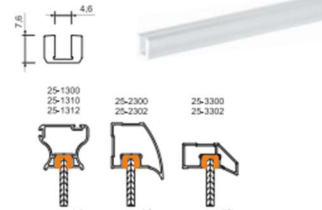
200 m/roll



AGAT II, LAZURYT II, SZAFIR

25-0926-PR

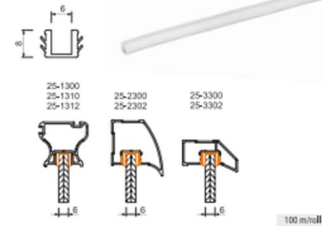
Uszczelka AL25 4,6 mm, przezroczysta (200 m/rolka)
AL25 series 4,6 mm gasket, translucent (200 m/roll)
Joint AL25 4,6 mm, transparent (200 m/rouleau)



200 m/roll

25-0927-PR

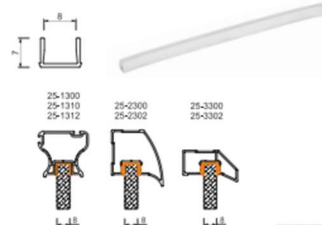
Uszczelka AL25 6 mm, przezroczysta (100 m/rolka)
AL25 series 6 mm gasket, translucent (100 m/roll)
Joint AL25 6 mm, transparent (100 m/rouleau)



100 m/roll

25-0928-PR

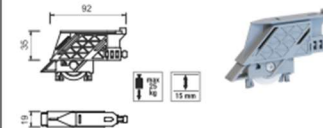
Uszczelka AL25 8 mm, przezroczysta (100 m/rolka)
AL25 series 8 mm gasket, translucent (100 m/roll)
Joint AL25 8 mm, transparent (100 m/rouleau)



100 pcs./pack

25-0500

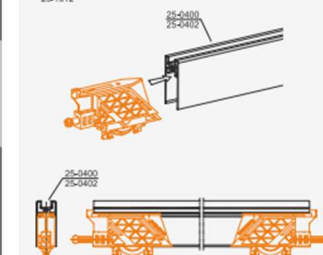
Wózek do drzwi AL25
AL25 anti-jump roller
Rouleau bas AL25



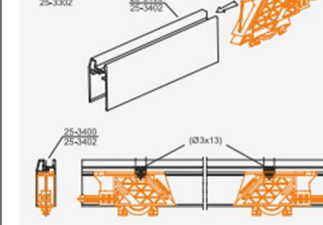
100 pcs./pack



25-1300 25-2300
25-1310 25-2302
25-1312



25-3300 25-3302



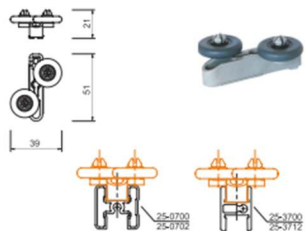
100 pcs./pack

DRZWI PRZESUWNE SERIA 25
SLIDING DOORS THE 25 SERIES

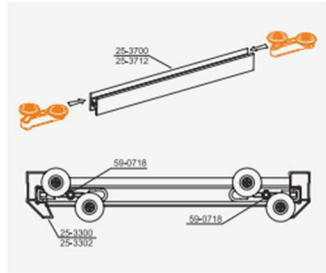
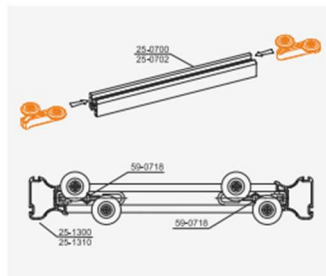


25-0600

Prowadnik górny AL25
AL25 top roller guide
Roulement haut AL25

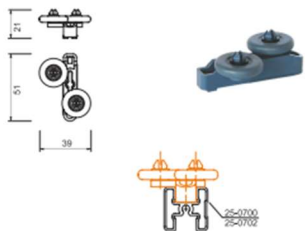


100 pcs./pack



25-0601

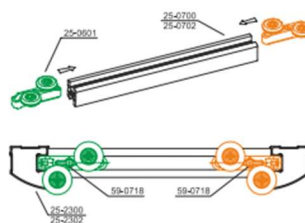
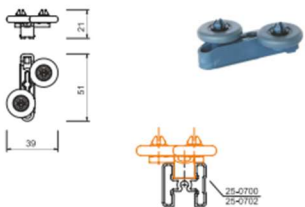
Prowadnik górny asymetryczny lewy AL25
AL25 top roller guide asymmetric, left
Roulement haut asymétrique gauche AL25



100 pcs./pack

25-0602

Prowadnik górny asymetryczny prawy AL25
AL25 top roller guide asymmetric, right
Roulement haut asymétrique droit AL25



100 pcs./pack

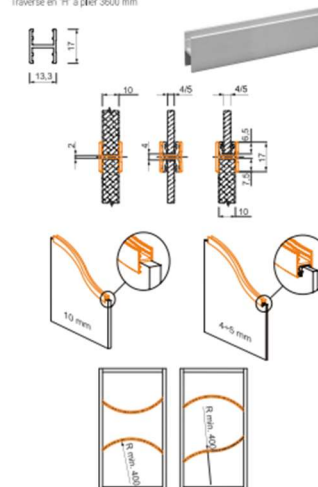


AGAT II, LAZURYT II, SZAFIR

20-0780-#

Ramka łącząca do gniazda 3600 mm
Bendable joiner rail 3600 mm
Traverse en "Y" à piler 3600 mm

- AA, AN, AS

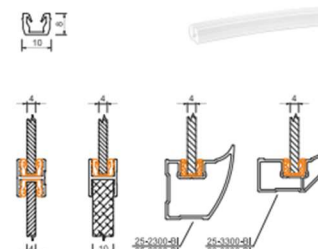


20 pcs./pack

20-0925-#

Uszczelnia łącząca przezroczysta (100 m/rola)
Glazing strip, transparent (100 m/roll)
Joint transparent (100 m/rouleau)

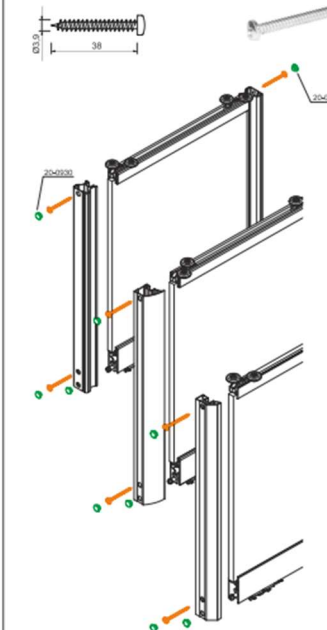
- CM, PR



100 m/roll

59-0728

Wkręt do montażu 3,9x38 mm (1000 szt.)
Mounting screw 3.9x38 mm (1000 pcs.)
Vis de montage 3,9x38 (1000 pcs.)

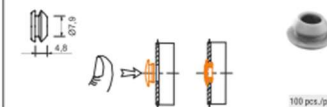


1000 pcs./pack

20-0930-#

Korek (100 szt.)
Plug (100 pcs.)
Bouchon (100 pcs.)

- AA, AN, BR, BT, CZ, PR



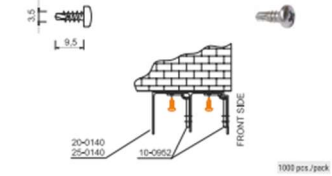
100 pcs./pack



AGAT II, LAZURYT II, SZAFIR

59-0708

Wkręt do montażu 3,5x9,5 (1000 szt.)
Mounting screw 3,5x9,5 (1000 pcs.)
Vis de montage 3,5x9,5 mm (1000 pcs.)

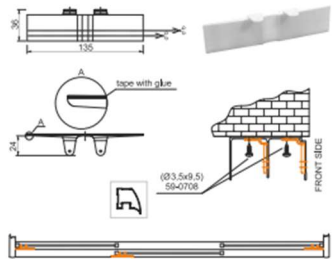


1000 pcs./pack

10-0952-0

Stoper uniwersalny (70 szt.)
Universal stopper (70 pcs.)
Stoppeur (70 pcs.)

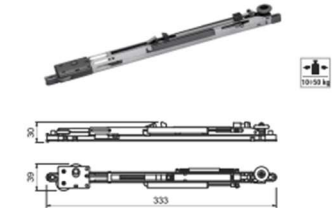
X - B, CZ



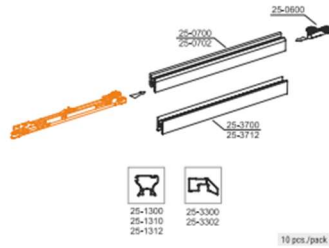
70 pcs./pack

25-1602L

Domykacz Comfort Touch II AL25 symetryczny, lewy
AL25 Comfort Touch II spring symmetrical, left
Amortisseur Comfort Touch II AL25 symétrique, droit



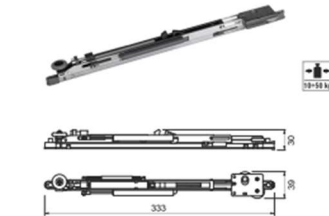
10-150 kg



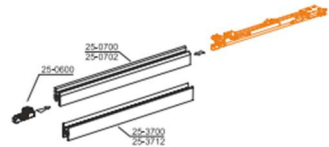
10 pcs./pack

25-1602P

Domykacz Comfort Touch II AL25 symetryczny, prawy
AL25 Comfort Touch II spring symmetrical, right
Amortisseur Comfort Touch II AL25 symétrique, gauche



10-150 kg



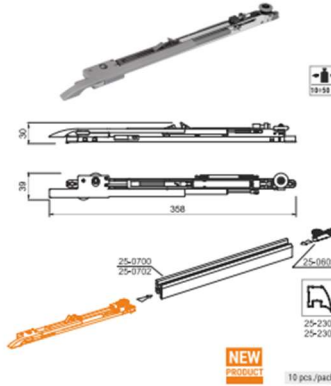
10 pcs./pack

DRZWI PRZESUWNE SERIA 25
SLIDING DOORS THE 25 SERIES



25-1605L

Domykacz Comfort Touch III AL25 asymetryczny, lewy
AL25 Comfort Touch III spring asymmetrical, left
Amortisseur Comfort Touch III AL25 asymétrique, droit



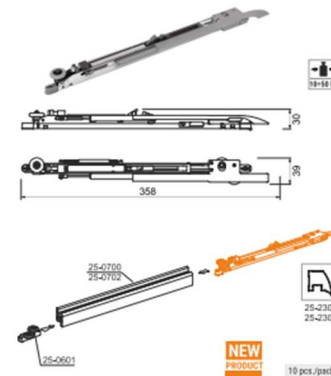
10-150 kg

NEW PRODUCT

10 pcs./pack

25-1605P

Domykacz Comfort Touch III AL25 asymetryczny, prawy
AL25 Comfort Touch III spring asymmetrical, right
Amortisseur Comfort Touch III AL25 asymétrique, gauche



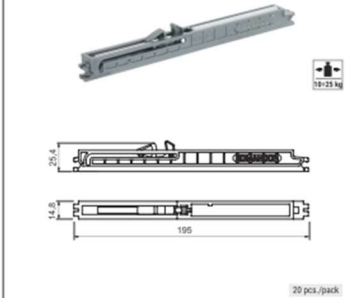
10-150 kg

NEW PRODUCT

10 pcs./pack

59-2691

Domykacz Uno 25 kg
Uno air spring 25 kg
Amortisseur Uno 25 kg

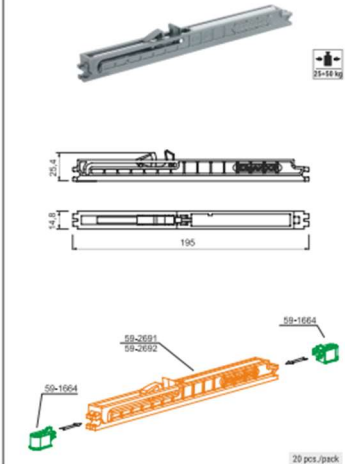


10-25 kg

20 pcs./pack

59-2692

Domykacz Uno 50 kg
Uno air spring 50 kg
Amortisseur Uno 50 kg



10-50 kg

20 pcs./pack



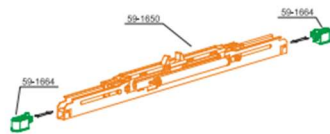
AGAT II, LAZURYT II, SZAFIR

59-1650

Domkiacz środkowy
Middle doors air spring
Amortisseur central



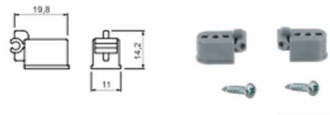
19-50 kg



5 pcs./pack

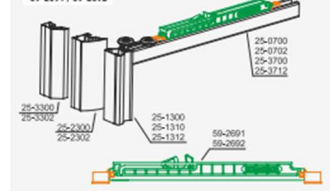
59-1664

Zaczep domkiacza środkowego / Uno AL25 / Winnipeg
Middle doors air spring / Uno spring mount AL25 / Winnipeg
Attache d'amortisseur central / Uno AL25 / Winnipeg

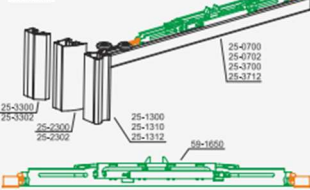


20 sets./pack

59-2691 / 59-2692

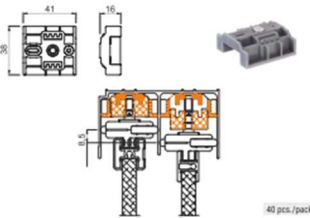


59-1650



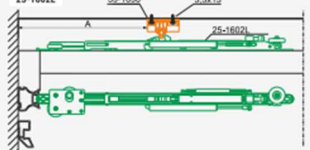
59-1690

Chwytek domkiacza Comfort Touch
Comfort Touch spring catch
Doigt d'entraînement pour amortisseur Comfort Touch

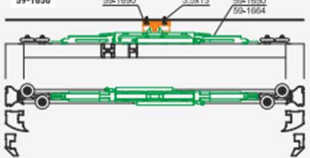


40 pcs./pack

25-1602L



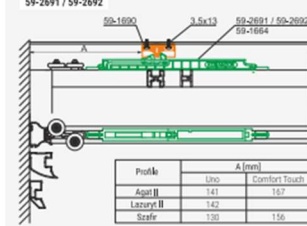
59-1650



DRZWI PRZESUWNE SERIA 25
SLIDING DOORS THE 25 SERIES



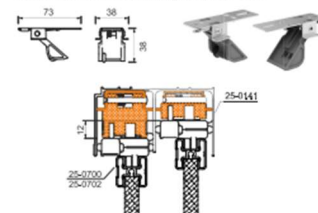
59-2691 / 59-2692



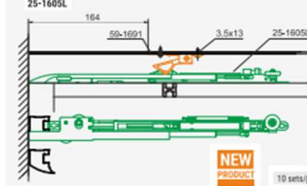
Profil	A [mm]	
	Uno	Comfort Touch
Agat II	141	167
Lazuryt II	142	
Szafir	130	156

59-1691

Chwytek samonastawny (prawy/lewy)
Comfort Touch spring catch, self-adjusting (left + right)
Loquet à ressort Comfort Touch, auto-réglable (gauche + droite)



25-1605L



10 sets./pack

59-0718

Wkręć dociskowy M6x6 KB (100 szt.)
Headless set screw M6x6 (100 pcs.)
Éléments de fixation du profil/porteur (100 pcs.)



100 pcs./pack

59-0691-1

Domkiacz 25 kg, lewy
Air spring 25 kg, left
Frein amortisseur 25 kg, gauche



1 pc./pack

59-0691-2

Domkiacz 25 kg, prawy
Air spring 25 kg, right
Frein amortisseur 25 kg, droit



1 pc./pack

59-0692-1

Domkiacz 25-50 kg, lewy
Air spring 25-50 kg, left
Frein amortisseur 25-50 kg, gauche



1 pc./pack

59-0692-2

Domkiacz 25-50 kg, prawy
Air spring 25-50 kg, right
Frein amortisseur 25-50 kg, droit



1 pc./pack

59-0693-1

Domkiacz 75 kg, lewy
Air spring 75 kg, left
Frein amortisseur 75 kg, gauche



1 pc./pack

59-0693-2

Domkiacz 75 kg, prawy
Air spring 75 kg, right
Frein amortisseur 75 kg, droit



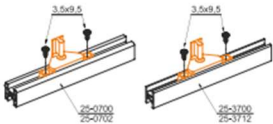
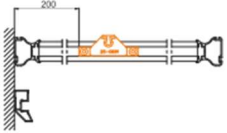
1 pc./pack



AGAT II, LAZURYT II, SZAFIR

25-0691

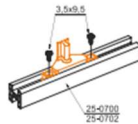
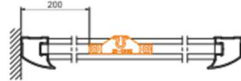
Plakiet domykacza drzwi Agat II (50 szt.)
Air spring guide for Agat II door (50 pcs.)
Platine Agat II (50 pcs.)



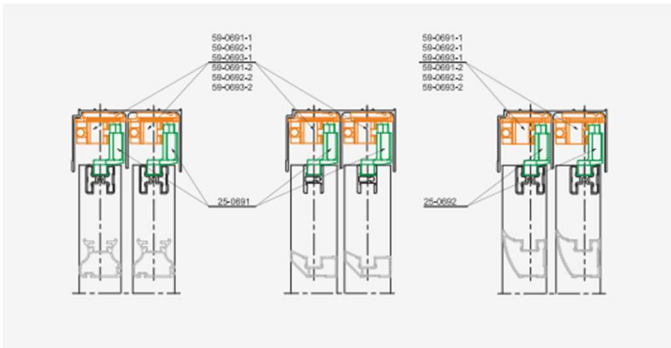
50 pcs./pack

25-0692

Plakiet domykacza drzwi Lazuryt II (50 szt.)
Air spring guide for Lazuryt II door (50 pcs.)
Platine Lazuryt II (50 pcs.)



50 pcs./pack





KOMANDOR CANADA CLOSETS & DOORS INC.
863 Rangeview Rd., Mississauga, ON L5E 1H1
tel: 905.766.0880 www.komandor.ca